

EcoFoot2⁺

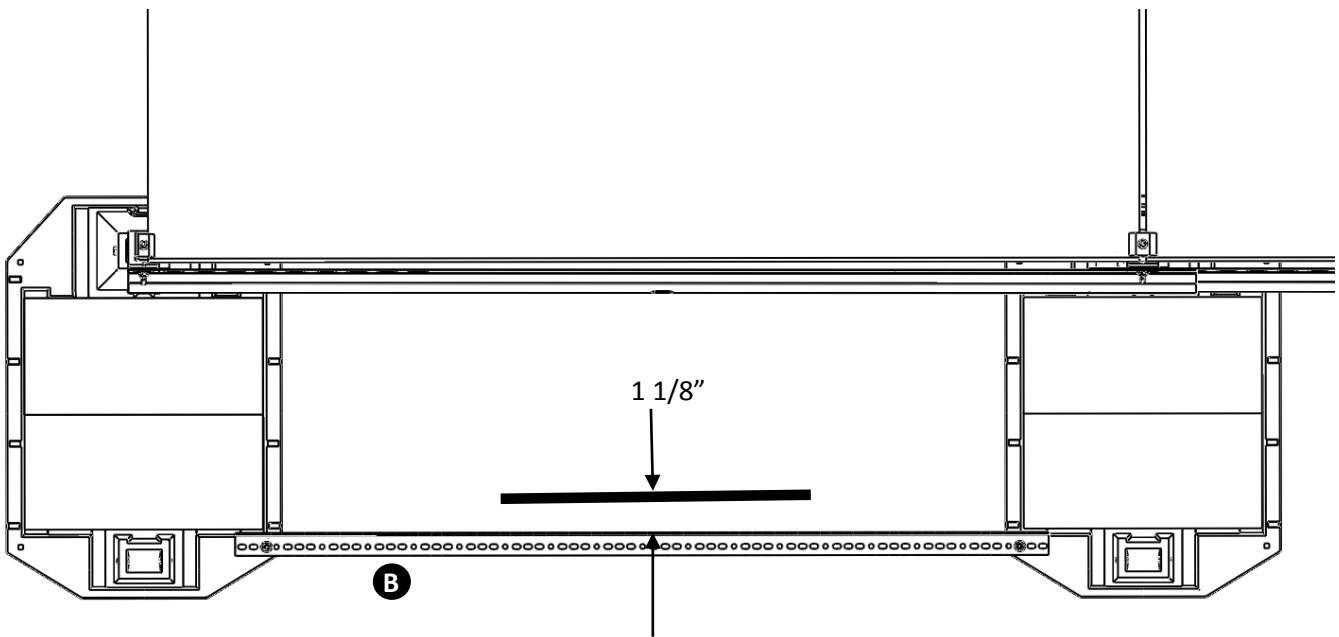
Installation Guide Supplement G

Mechanical Roof Attachment with U-Anchor and Slotted Angle

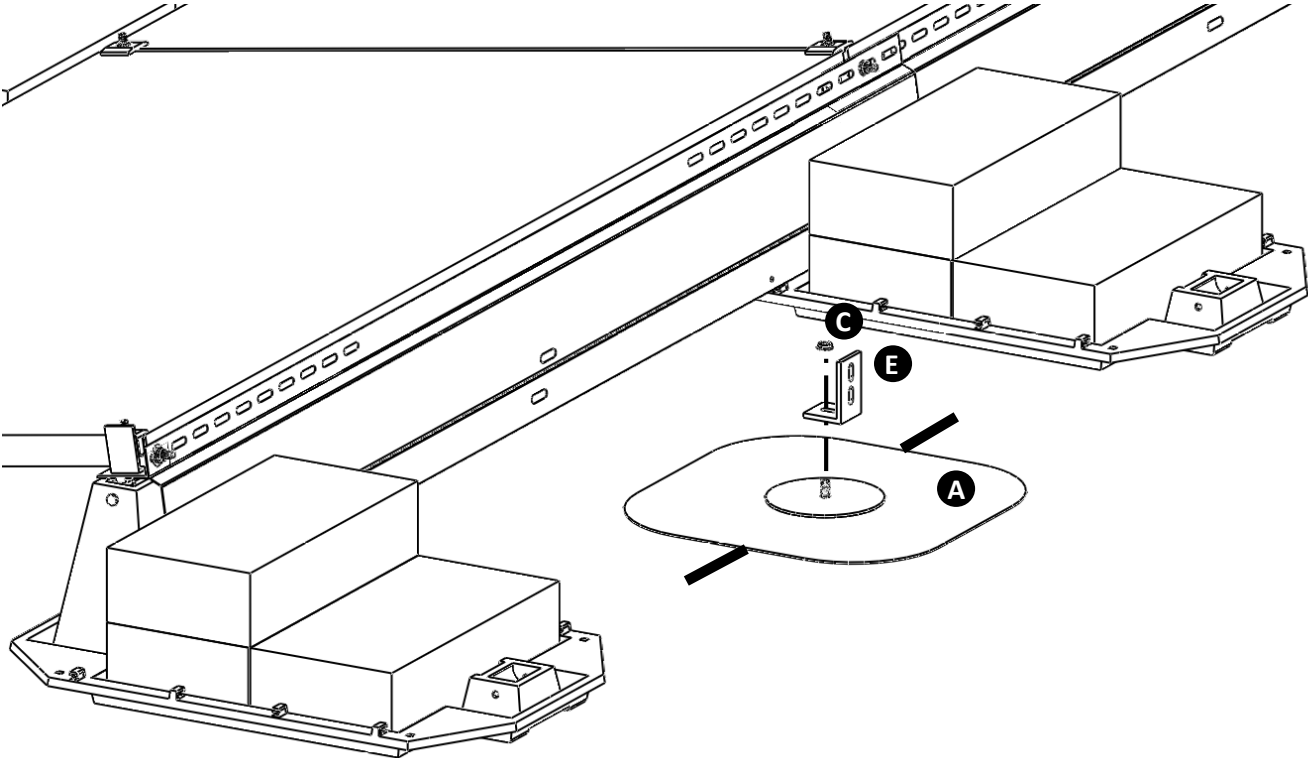
Components

A	U-Anchor
B	Slotted Angle
C	Nut, Serrated Flange Hex, 3/8"
D	Bolt, Serrated Flange Hex, 3/8"
E	L Foot

1. Align Slotted Angle (B) with Ecofoot2 attachment holes. Mark line on roof 1 1/8" from the vertical face of the Slotted Angle (B) as shown below.



2. Install U-Anchor (A) so that centerline is in-line with line drawn on roof in Step 1. Refer to Anchor Products U-Anchor Installation Manual for detailed instructions. Attach L Foot (E) to U-Anchor (A) using Nut (C).



3. Enlarge Ecofoot2 mounting hole using a 3/8" drill bit. Attach Slotted Angle (B) to Ecofoot2 and L Foot (E) using Bolts (D) and Nuts (C). Torque all Nuts (C) to 12 ft-lbs.

