

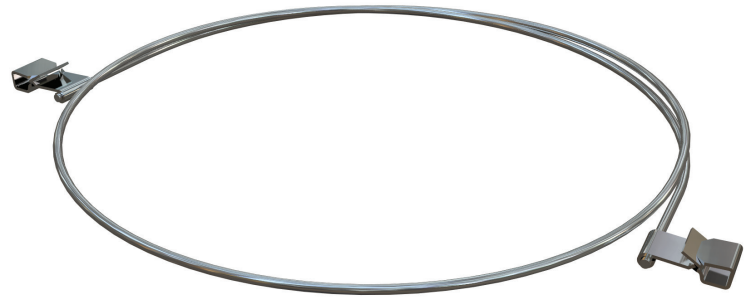
Simple Solutions

EcoFoot2+ Tool-Free Electrical Bonding

This tool-free 38" Bonding Jumper provides streamlined bonding between the rows in EcoFoot2+ arrays.

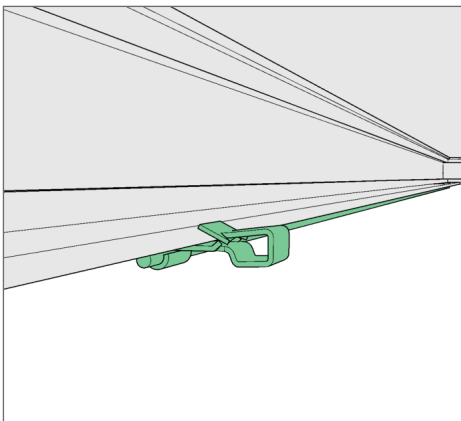
UL2703 approved, the 38" Bonding Jumper replaces conventional Ground Lug installation. Solar panels are grounded quickly and easily and no tools are required.

With a fast, simple installation and a corrosion-resistant finish, the 38" Bonding Jumper compliments the speed, durability and simplicity of the EcoFoot2+.

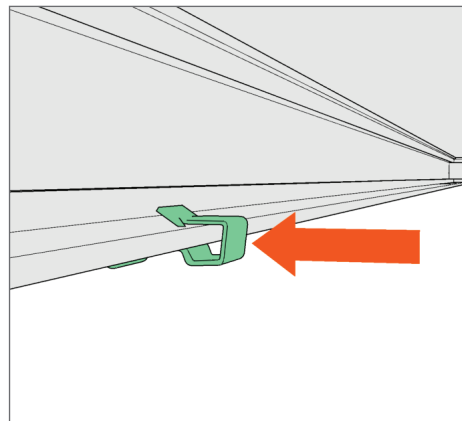


38" Bonding Jumper
Part Number ES10378
UL2703 Approved

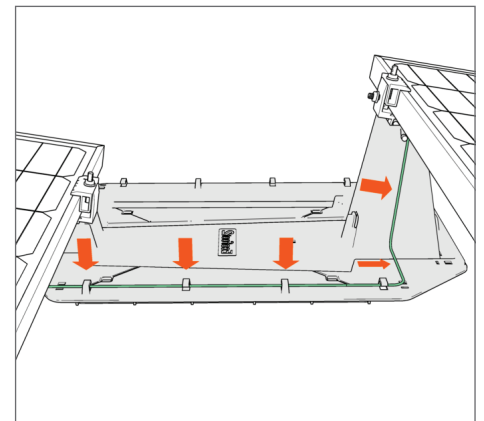
Simple to Install



1. Position the end Clip of the Bonding Jumper where it will be secured to the return flange of the module frame.



2. Press the end Clip of the Bonding Jumper to seat it on the module frame.



3. Route the Bonding Jumper in the wire management clips provided on the EF2+ base and secure the other end to the module in the adjacent row. Repeat Steps 1 and 2 on adjacent row module frame.

Simple to Order

Get the convenience of one-stop shopping. Simply order the Bonding Jumper with your EcoFoot2+ racking. Part no. ES10378, the press-on Bonding Jumper comes 25 per 2-pound bag.

For help with orders or delivery information call 740.249.1877.



Installation Support: Call Field Support at 866.488.6794
Sales Support: Call Sales at 740.249.1877



[Visit website.](#)