

## Extension Clamp Addendum: EcoX Universal

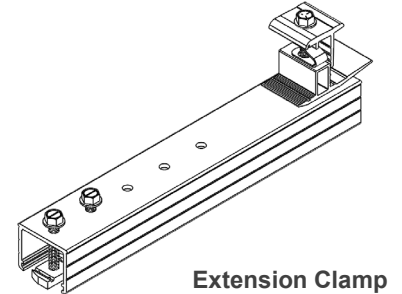
The EcoX Universal Extension Clamp allows arrays to be designed to cover the roof from gutter to ridge.

**Ridge** – Use Extension Clamp to:

- Secure a module uphill of EcoX Universal Base
- Install array up to the ridge without compromising ridge cap shingles
- Extend array corner to hip of roof

**Gutter** – Use Extension Clamp to:

- Secure Skirt and module downhill of EcoX Universal Base
- Install array down to the gutter with lag connected a safe distance from end of rafter
- Extend array corner to valley of roof



### Guidelines for Use

Install Extension Clamp only at north or south edges and on array corners.

Use an Extension Clamp only when supporting a module either above or below Clamp.

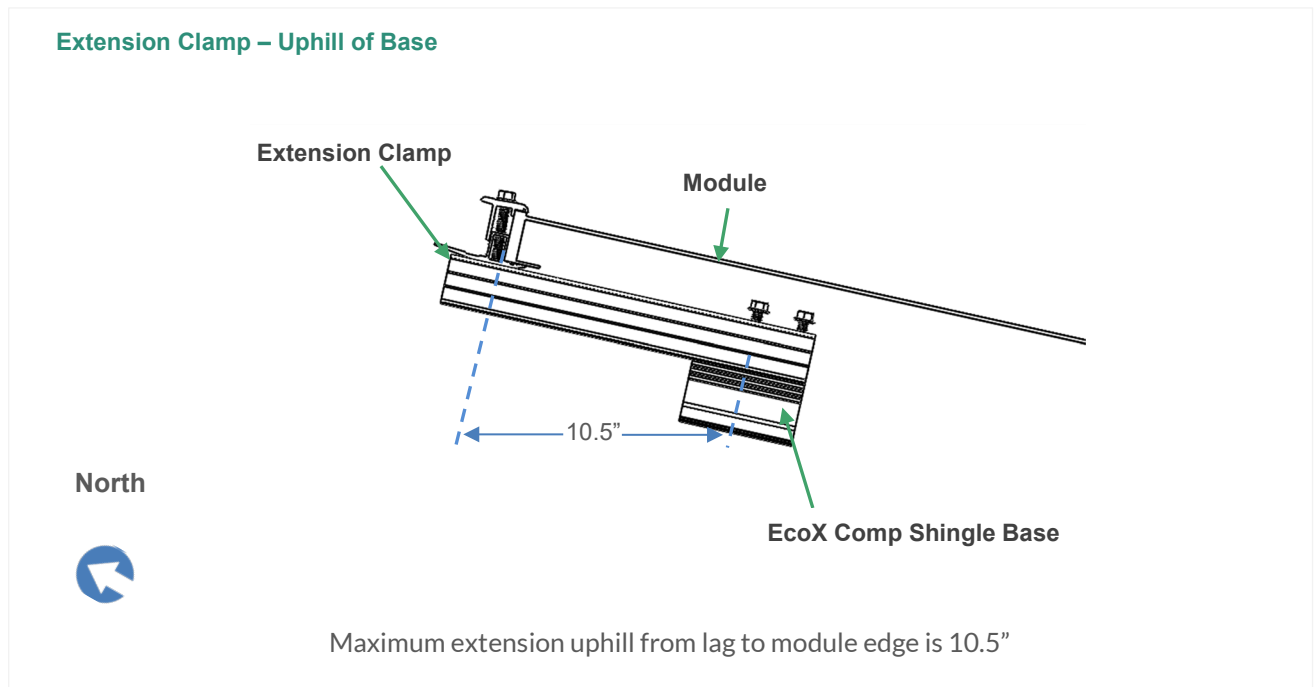
Do not use Extension Clamps where a module is both above and below Clamp.

The Extension Clamp is for use with EcoX Comp Shingle Base. Base must be 100% engaged with Extension Clamp and both fasteners must be used to secure Extension Clamp to Base.

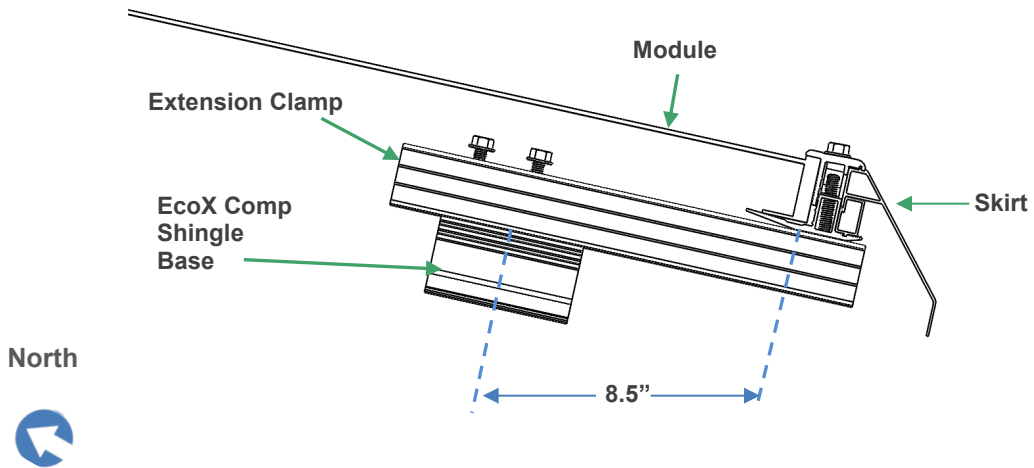
Maximum extension uphill from lag to module edge is 10.5”.

Maximum extension downhill from lag to module edge:

- 10.5” where snow load is < 10psf
- 8.5” where snow load is  $\geq$  10psf



Extension Clamp – Downhill of Base



Maximum extension downhill from lag to module edge is 10.5" where snow load is <10psf and 8.5" where snow load is  $\geq 10$ psf

**INCORRECT: DO NOT USE Extension Clamp when a module is both above and below Clamp.**

