

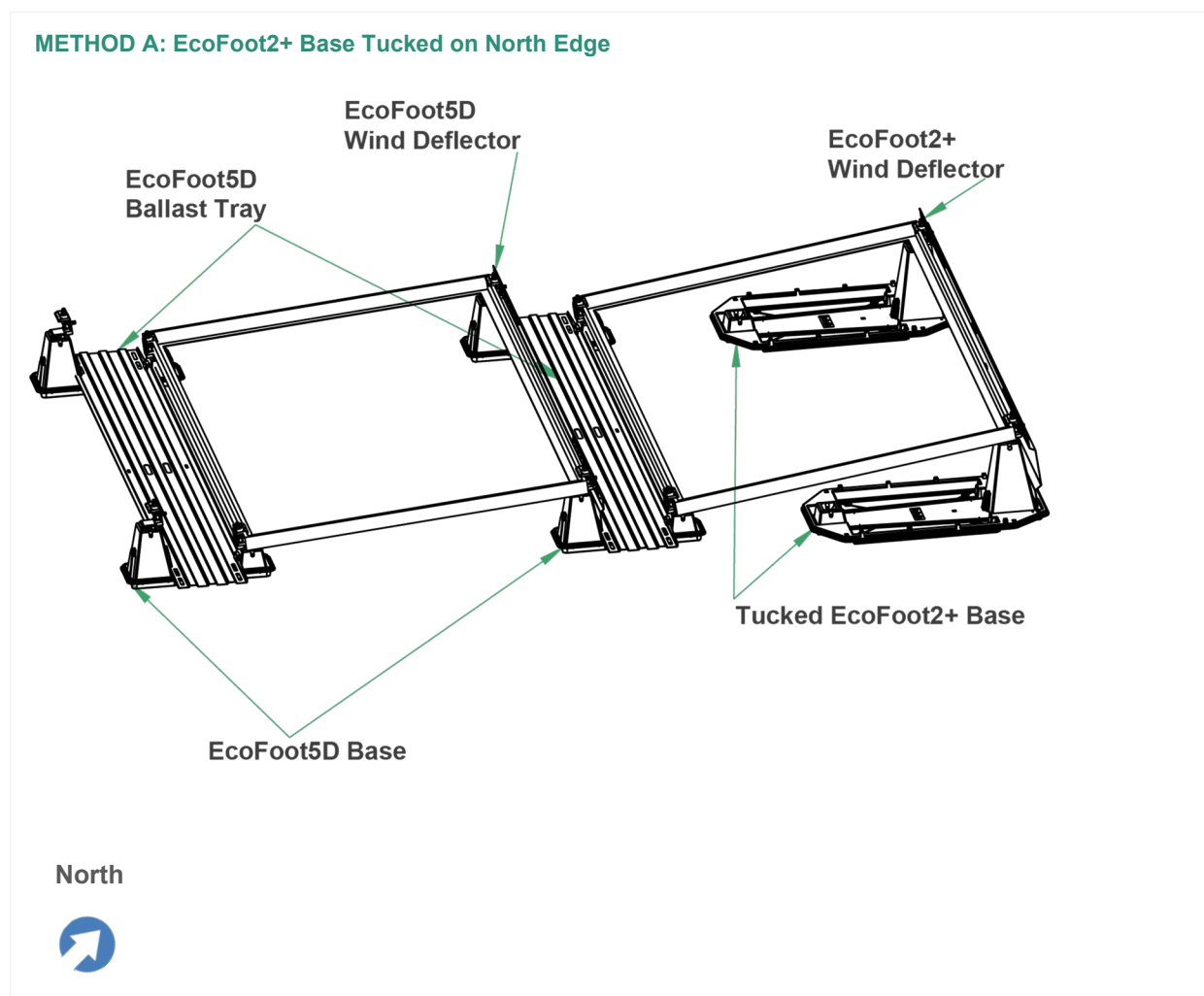
North Row Tuck Addendum: EcoFoot5D

The north row of EcoFoot5D arrays can be installed with Bases tucked under the modules using either of the methods described here. For complete racking system installation instructions, see [EcoFoot5D Install Guide](#) on the EcoFoot5D support page at www.ecolibriumsolar.com.

Method A: EcoFoot2+ Bases and Wind Deflectors

EcoFoot2+ Bases can be tucked under the north edge of EcoFoot5D arrays as shown in the diagram.

- Tilt angle of North row will be 2 degrees higher than rest of array.
- Additional EcoFoot2+ Bases may be added to the center of the module frame if required for high snow loads or to hold additional ballast blocks.



Method B: EcoFoot5D Bases Attached

EcoFoot5D Bases can be tucked under the north edge of the north row and connected to anchored Strut. Strut runs East/West. See diagram below.

- Do not use Mid Supports and Ballast Trays on north row of tucked EcoFoot5D Bases.
- An additional EcoFoot5D Base may be added to the center of the module frame if required for high snow loads. The additional center Base does not need to be attached to the Strut.

Note: Some EcoFoot5D arrays are designed to be fully attached with strut running North/South. For fully attached systems, Mid supports and Ballast Trays are not needed. North edge Bases can be tucked and additional East/West strut attachment is not needed.

